

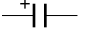

SCHEMATIC DIAGRAM

MODEL : 36A43

WARNING: BEFORE SERVICING THIS CHASSIS, READ THE "X-RAY RADIATION PRECAUTION", "SAFETY PRECAUTION" AND "PRODUCT SAFETY NOTICE" ON THE MANUAL FOR THIS MODEL.

CAUTION: The international hazard symbols " \triangle " in the schematic diagram and the parts list designate components which have special characteristics important for safety and should be replaced only with types identical to those in the original circuit or specified in the parts list. The mounting position of replacements is to be identical with originals. Before replacing any of these components, read carefully the PRODUCT SAFETY NOTICE on the MANUAL for this model. Do not degrade the safety of the receiver through improper servicing.

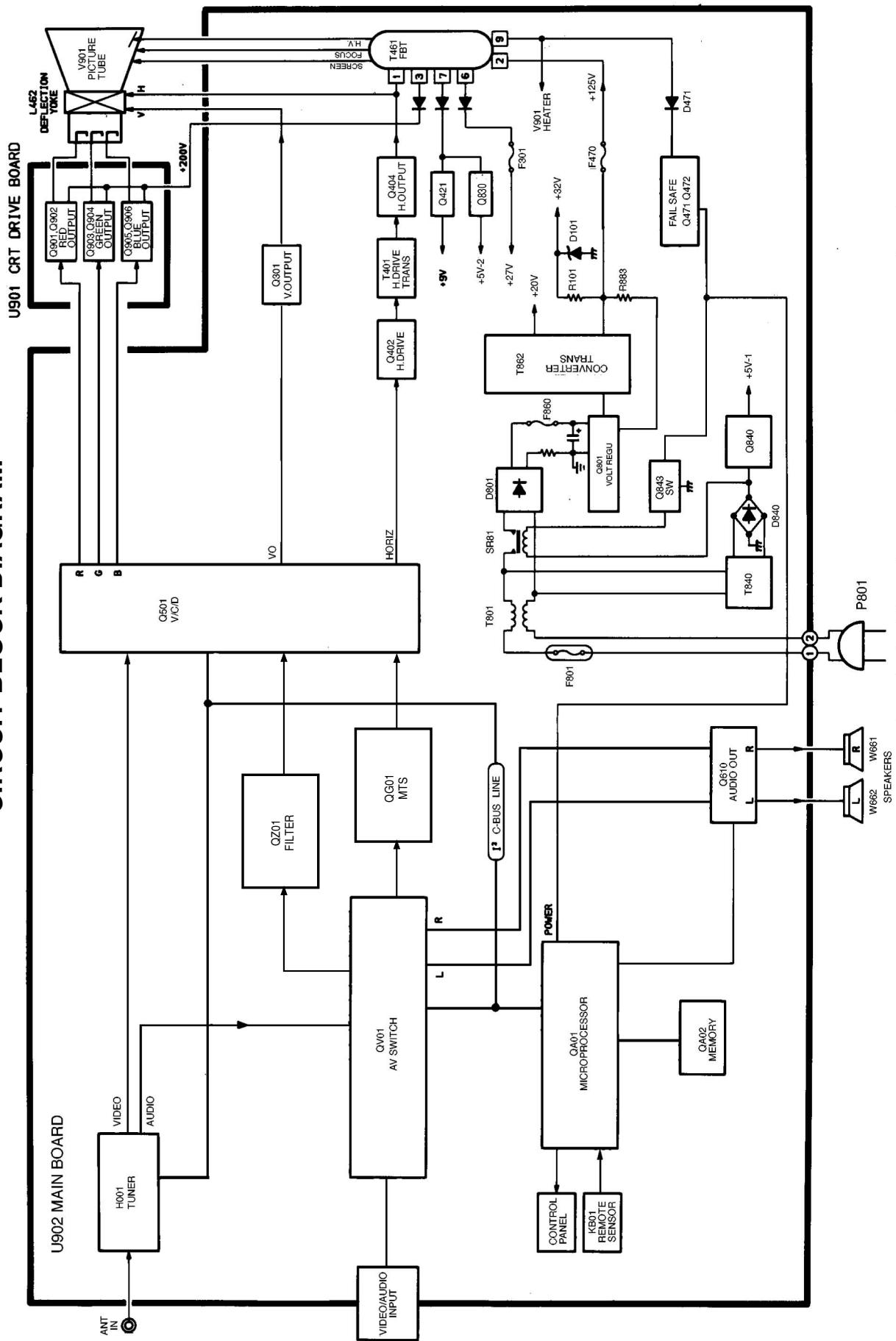
NOTE:

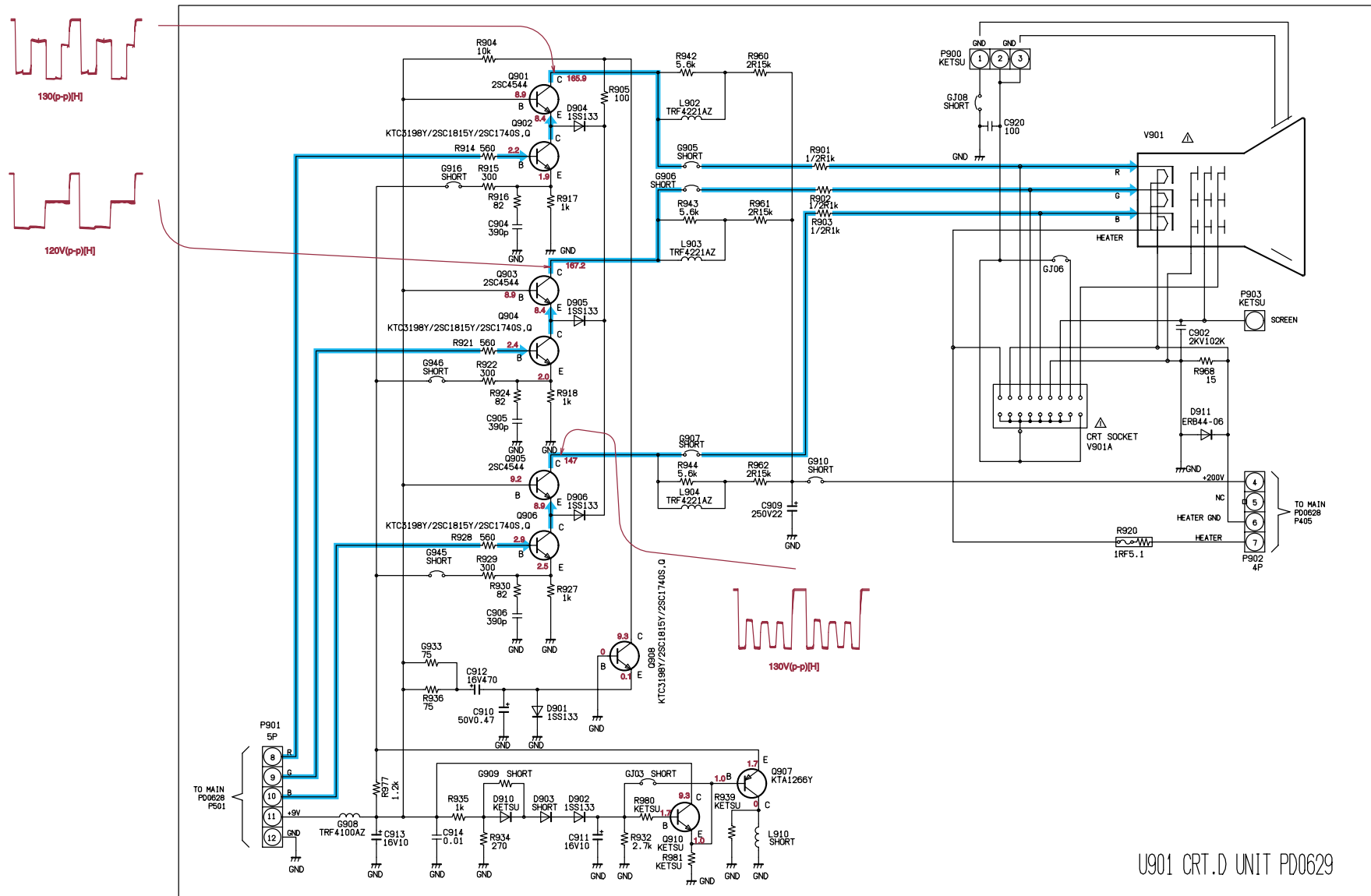
- RESISTOR** Resistance is shown in ohm [K = 1.000, M = 1.000.000]. All resistors are 1/6W and 5% tolerance carbon resistor, unless otherwise noted as the following marks.
1/2R = Metal or Metal oxide of 1/2 watt 1/2S = Carbon composition of 1/2 watt
1RF = Fuse resistor of 1 watt 10W = Cement of 10 watt
K = $\pm 10\%$ G = $\pm 2\%$ F = $\pm 1\%$
- CAPACITOR** Unless otherwise noted in schematic, all capacitor values less than 1 are expressed in μF , and the values more than 1 in pF.
All capacitors are ceramic 50V, unless otherwise noted as the following marks.
 Electrolytic capacitor  Mylar capacitor
- The parts indicated with " \triangle " have special characteristics, and should be replaced with identical parts only.
- Voltages read with DIGITAL MULTI-METER from point indicated to chassing ground, using a color bar signal with all controls at normal, line voltage 120 volts.
- Waveforms are taken receiving color bar signal with enough sensitivity.
- Voltage reading shown are nominal values and may vary $\pm 20\%$ except H.V.

■ SCHEMATIC DIAGRAM STRUCTURE:

— CRT-D / FRONT. AV Circuit	1/3
— IF Circuit	2/3
— MAIN Circuit	3/3

CIRCUIT BLOCK DIAGRAM

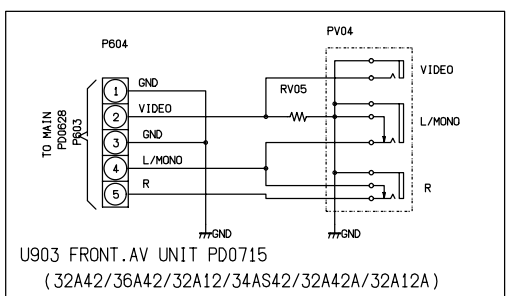




U901 CRT.D UNIT PD0629

V901	A80AKB50X05	A80AKB50X05	A80AKB50X05	A80AEJ15X05
RV05	KETSU	75	75	75
R920	1RF5.1	1RF5.1	1RF5.1	2RF1.8
PV04	KETSU	3P JACK	3P JACK	3P JACK
P604	KETSU	5P	5P	5P
GJ06	SHORT	SHORT	SHORT	KETSU
	32A32	32A42	36A42	32A42A/32A12A

32A12/34AS42 is same as 32A42



U903 FRONT. AV UNIT PD0715
(32A42/36A42/32A12/34AS42/32A42A/32A12A)

A

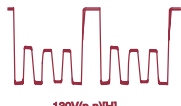
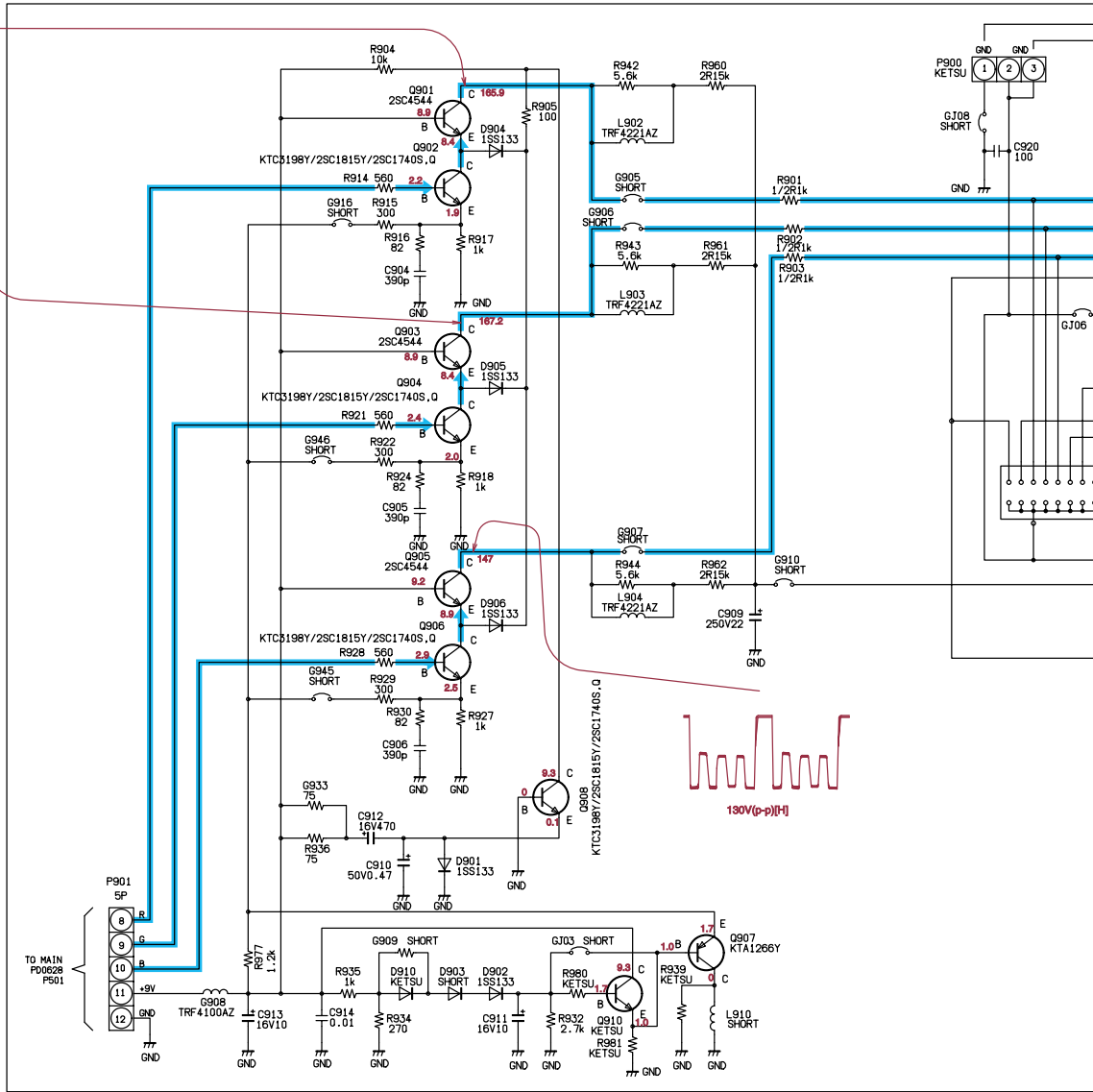
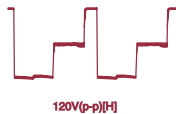
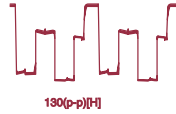
B

C

D

E

F



A

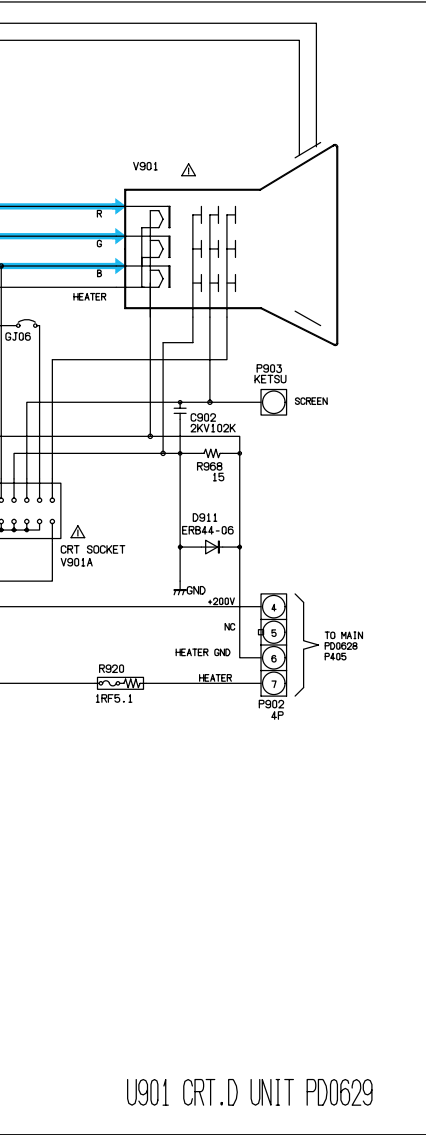
B

C

D

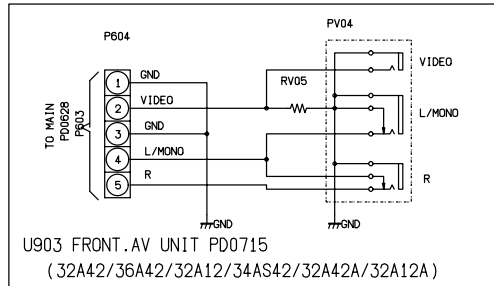
E

F



V901	A80AKB50X05	A80AKB50X05	A80AKB50X05	A80AEJ15X05
RV05	KETSU	75	75	75
R920	1RF5.1	1RF5.1	1RF5.1	2RF1.8
PV04	KETSU	3P JACK	3P JACK	3P JACK
P604	KETSU	5P	5P	5P
GJ06	SHORT	SHORT	SHORT	KETSU
	32A32	32A42	36A42	32A42A/32A12A

32A12/34AS42 is same as 32A42



36A43
CRT. D/FRONT. AV

1

2

3

4

A

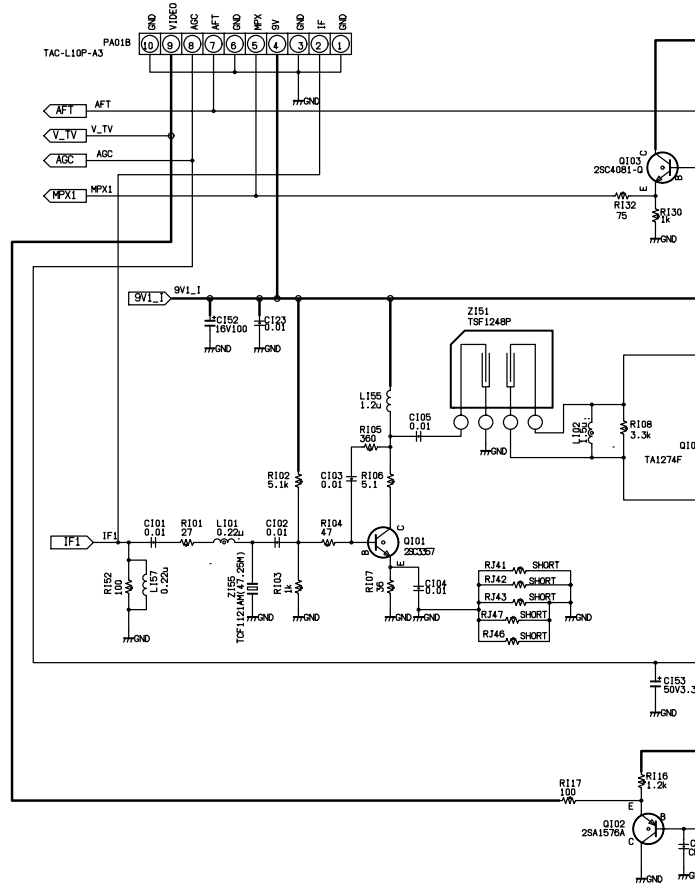
B

C

D

E

F

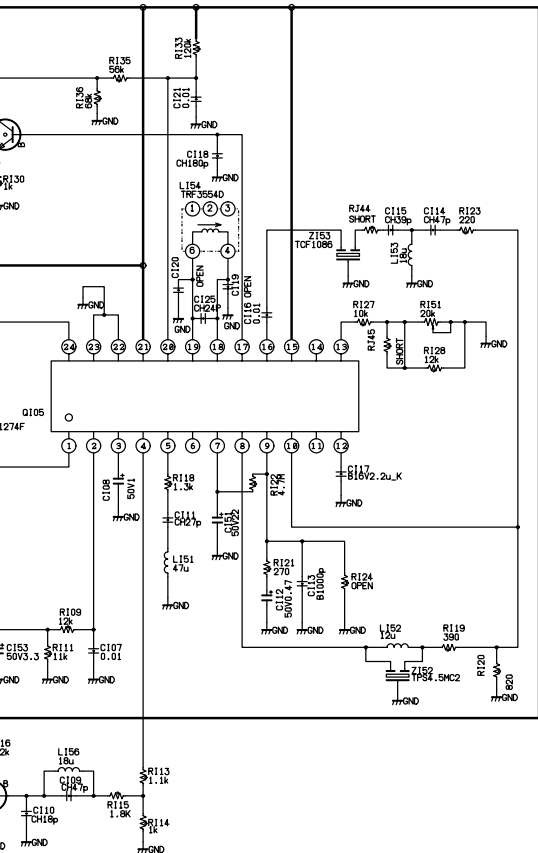


1

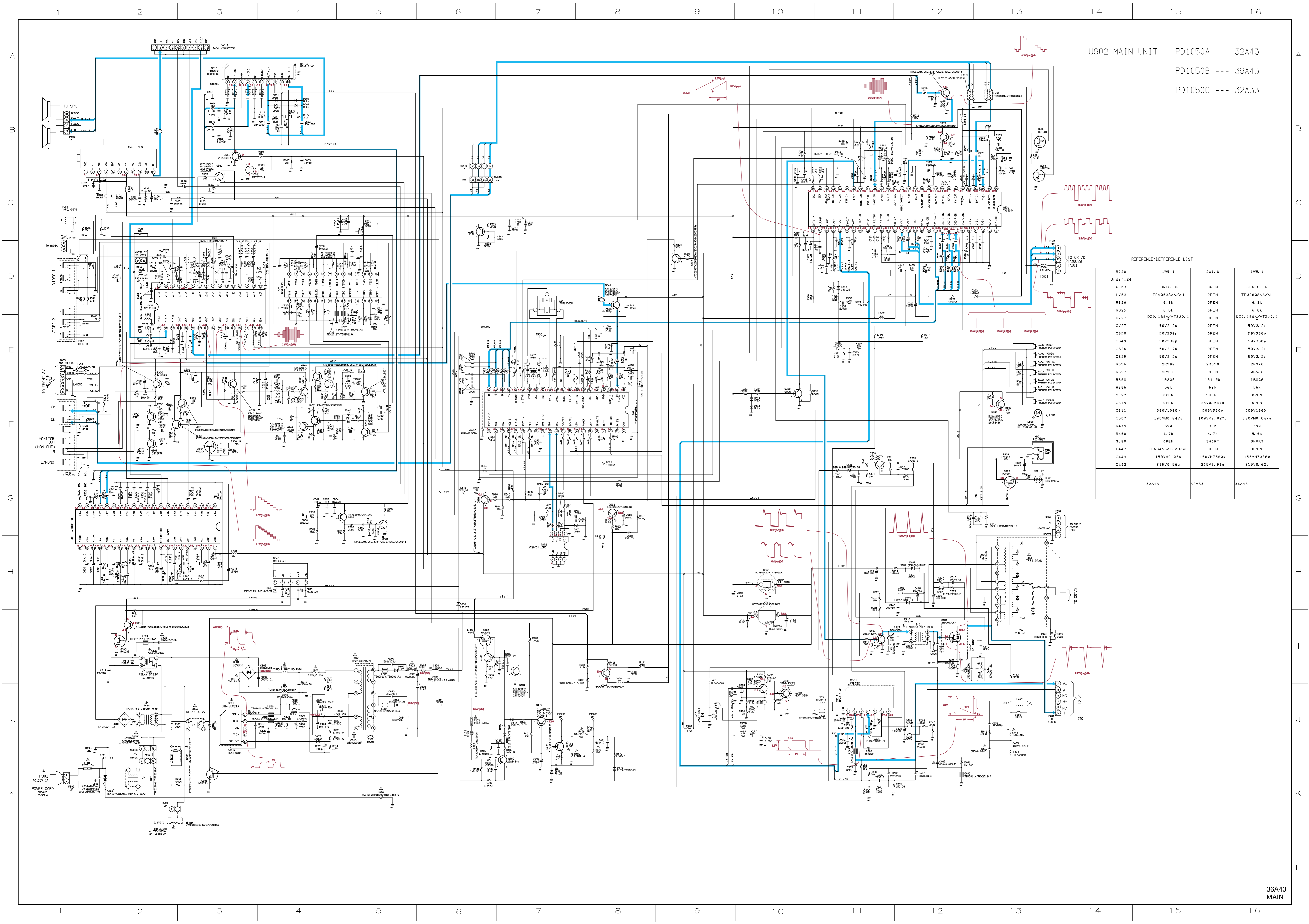
2

3

4



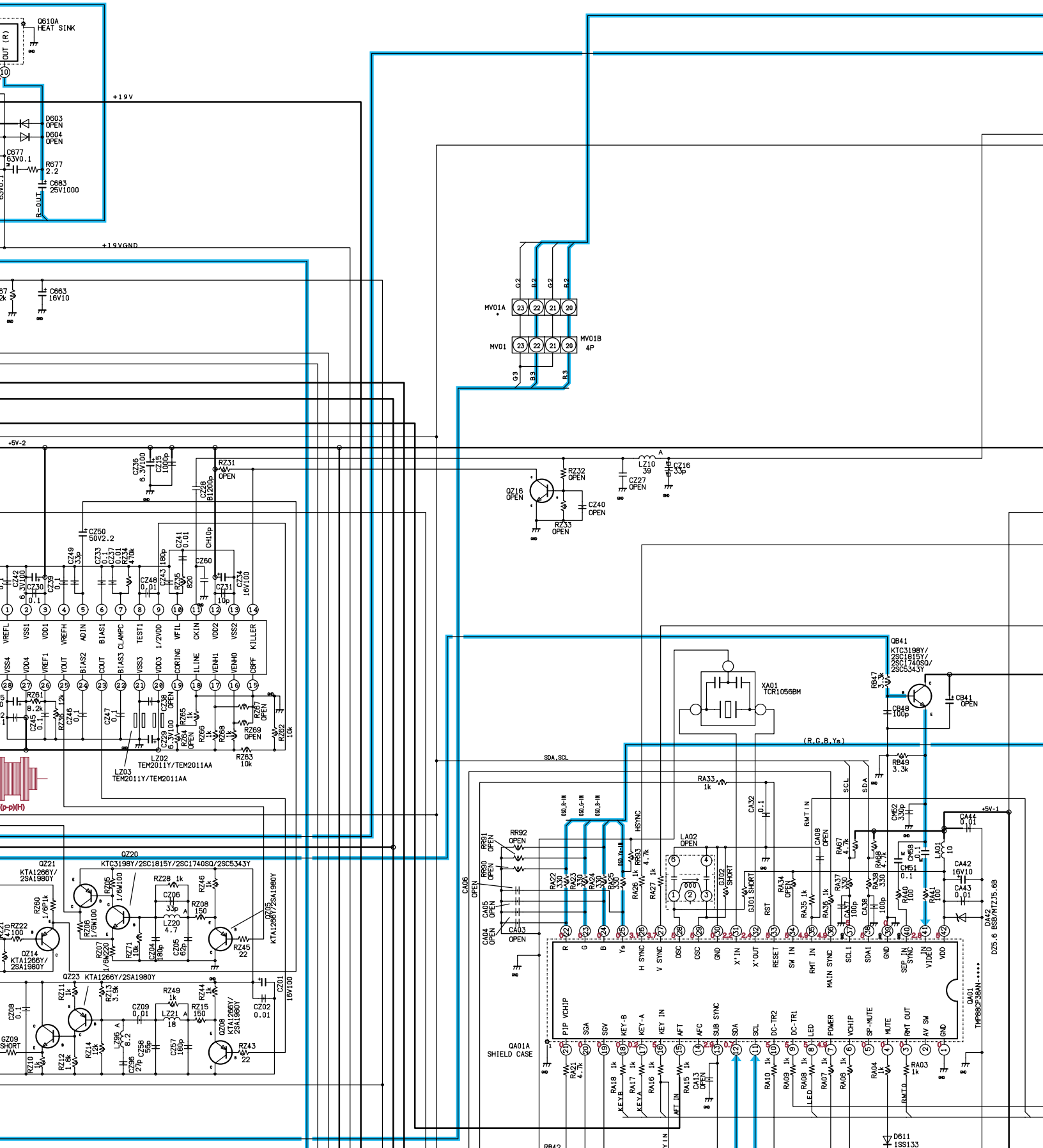
36A43
IF



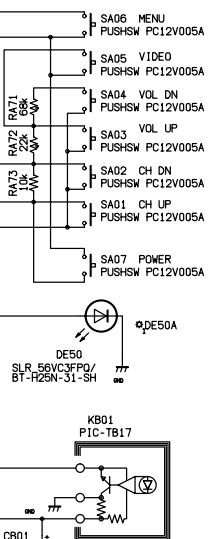
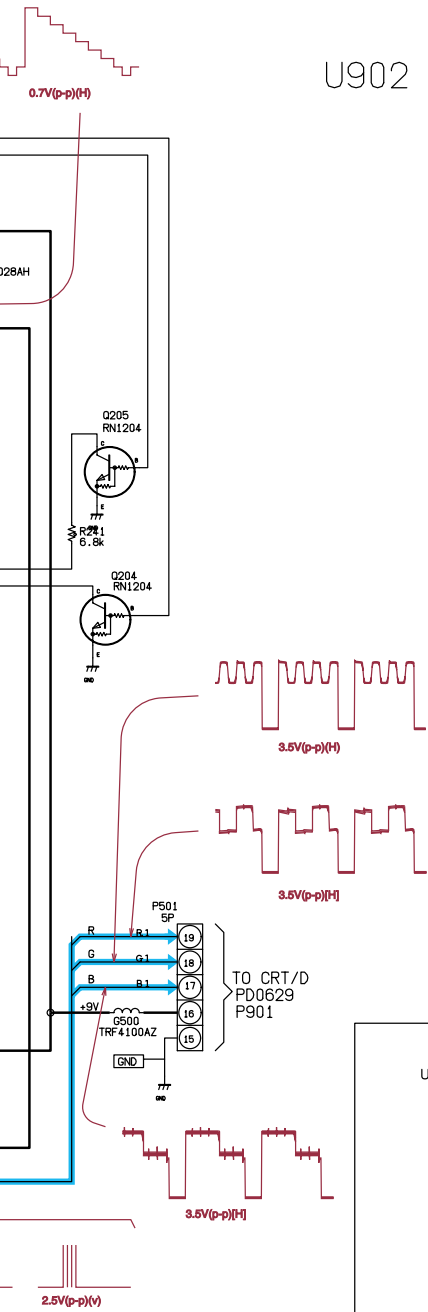
U902 MAIN UNIT
 PD1050A --- 32A43
 PD1050B --- 36A43
 PD1050C --- 32A33

REFERENCE/DEFERENCE LIST

	1WS. 1	2W1. 8	1WS. 1
R928	UNDEF. 24		
P683	CONNECTOR	OPEN	CONNECTOR
LV82	TEM2828AA/AH	OPEN	TEM2828AA/AH
RS26	6. 8K	OPEN	6. 8K
RS25	6. 8K	OPEN	6. 8K
DV27	DZ9. 185A/MTZJ9. 1	OPEN	DZ9. 185A/MTZJ9. 1
CV27	58V2. 2u	OPEN	58V2. 2u
C598	58V338p	OPEN	58V338p
C549	58V338p	OPEN	58V338p
C526	58V2. 2u	OPEN	58V2. 2u
C525	58V2. 2u	OPEN	58V2. 2u
R936	2R398	2R338	2R398
R927	2R5. 6	OPEN	2R5. 6
R908	1R828	1R1. 5K	1R828
R906	56K	68K	56K
GJ27	OPEN	SHORT	OPEN
C315	OPEN	25V8. 847u	OPEN
C311	588V1888p	588V588p	588V1888p
C307	188V88. 847u	188V88. 827u	188V88. 847u
R475	398	398	398
R468	4. 7K	4. 7K	5. 6K
GJ88	OPEN	SHORT	SHORT
L447	TLN3456A/AD/AF	OPEN	OPEN
C443	158VH7588p	158VH7588p	158VH7588p
C442	315V8. 56u	315V8. 51u	315V8. 62u
	32A43	32A33	36A43



U902 MAIN UNIT PD1050A --- 32A43
 PD1050B --- 36A43
 PD1050C --- 32A33



REFERENCE: DEFFERENCE LIST

R920	1W5. 1	2W1. 8	1W5. 1
Undef_24			
P603	CONNECTOR	OPEN	CONNECTOR
LV02	TEM2028AA/AH	OPEN	TEM2028AA/AH
RS26	6. 8k	OPEN	6. 8k
RS25	6. 8k	OPEN	6. 8k
DV27	DZ9. 1BSA/MTZJ9. 1	OPEN	DZ9. 1BSA/MTZJ9. 1
CV27	50V2. 2u	OPEN	50V2. 2u
CS50	50V330P	OPEN	50V330P
CS49	50V330P	OPEN	50V330P
CS26	50V2. 2u	OPEN	50V2. 2u
CS25	50V2. 2u	OPEN	50V2. 2u
R336	2R390	2R330	2R390
R327	2R5. 6	OPEN	2R5. 6
R308	1R820	1R1. 5k	1R820
R306	56k	68k	56k
GJ27	OPEN	SHORT	OPEN
C315	OPEN	25V0. 047u	OPEN
C311	500V1000P	500V560P	500V1000P
C307	100VM0. 047u	100VM0. 027u	100VM0. 047u
R475	390	390	390
R460	4. 7k	4. 7k	5. 6k
GJ80	OPEN	SHORT	SHORT
L447	TLN3456A I/AD/AF	OPEN	OPEN
C443	150VH9100P	150VH7500P	150VH7200P
C442	315V0. 56u	315V0. 51u	315V0. 62u

A

B

C

D

E

F

